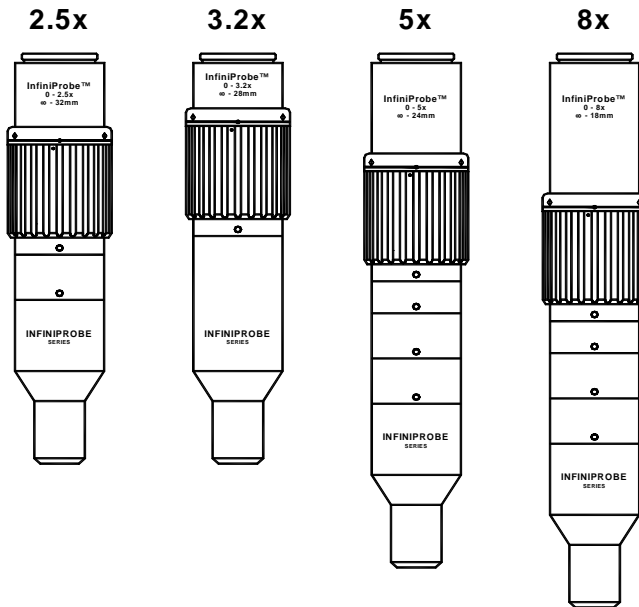


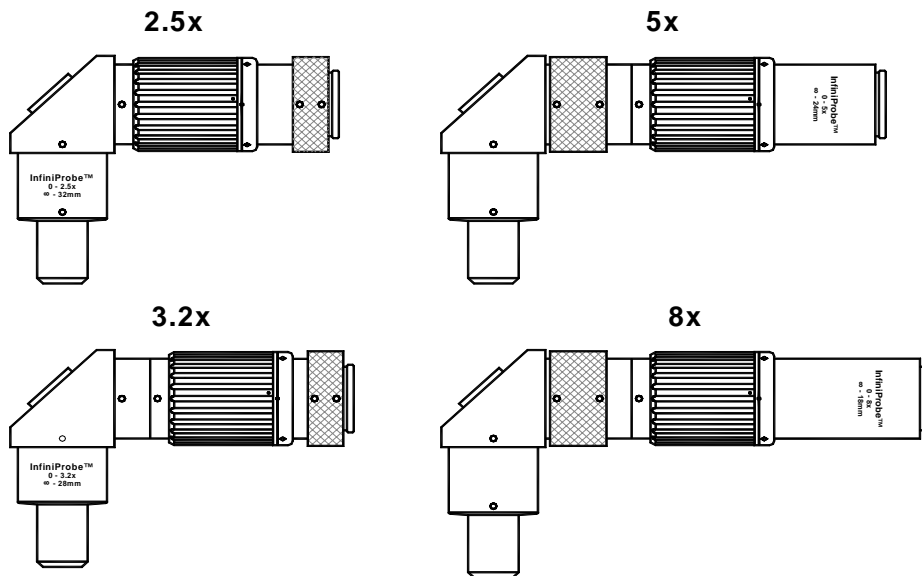
INFINIPROBE™ SERIES

- S-25 N-25
- S-32 N-32
- S-50 N-50
- S-80 N-80

S-SERIES



N-SERIES



 **INFINITY** Photo-Optical Company • Manufacturers of precision optical instruments.

2530 Frontier Ave., Boulder, CO 80301 • Tel: (303) 440-4544 • Fax: (303) 440-4144 • E-mail: info@infinity-usa.com • Web: www.infinity-usa.com

InfiniProbe™ Video Microscope

There is only *one* other continuously-focusable video microscope that has greater capabilities than any of these superlative imaging systems: Infinity's own InfiniVar CFM-2/S. Nevertheless, within their price-performance envelopes, the InfiniProbe Series optics have no equals.

All InfiniProbes are compact, popularly-priced answers to many imaging problems that only continuously-focusable microscopes can solve. Now, these capabilities are available in truly entry-level products!

Focus *anywhere* from infinity on down and see detail and resolution grow as the magnification continuously increases! You can monitor magnification, field of view and depth of field to get the exact image you want—by focusing from the most pleasing vantage point. Then, specific details may be zeroed-in at truly microscopical magnifications. By simply adding a 2x DL or LDL (lockable on to the camera) doubler, magnification can be amplified by a 2x factor.

Function. Each InfiniProbe could not be simpler to use. A Focusing Ring activates focus from Infinity on down and everywhere in-between. Amplifiers can be mounted to step-up magnification by a 2x factor (DL or lockable LDL Tube). An optional Clamp either Small or Large (w/ Delrin spacer) can be used to secure it in place.

Formats. All InfiniProbes can be used with all C-mount and CS-mount video cameras. If used with CS-mount cameras, a C5 Spacer should be added to compensate for the standard C-mount back focal distance. Each InfiniProbe covers all 2/3-in. and smaller-sensored cameras (1x to 4x amplification). The InfiniProbe series were not designed for 35mm (T2 mount) or special bayonet formats. For such use, our larger, more adaptable InfiniVar CFM-2/S is required.

Care and cleaning. Your InfiniProbe should be treated as the fine lens that it is. Care should be taken to keep dust and dirt off external lens surfaces. The unit can be cleaned (metal parts only) by a cloth moistened with alcohol. The external optical surfaces should be cleaned only when necessary, and then, only by a soft cotton swab moistened by an approved optical glass cleaner. If you have further questions, please contact Infinity Photo-Optical Company or your authorized dealer.

InfiniProbe S-25 Video Microscope

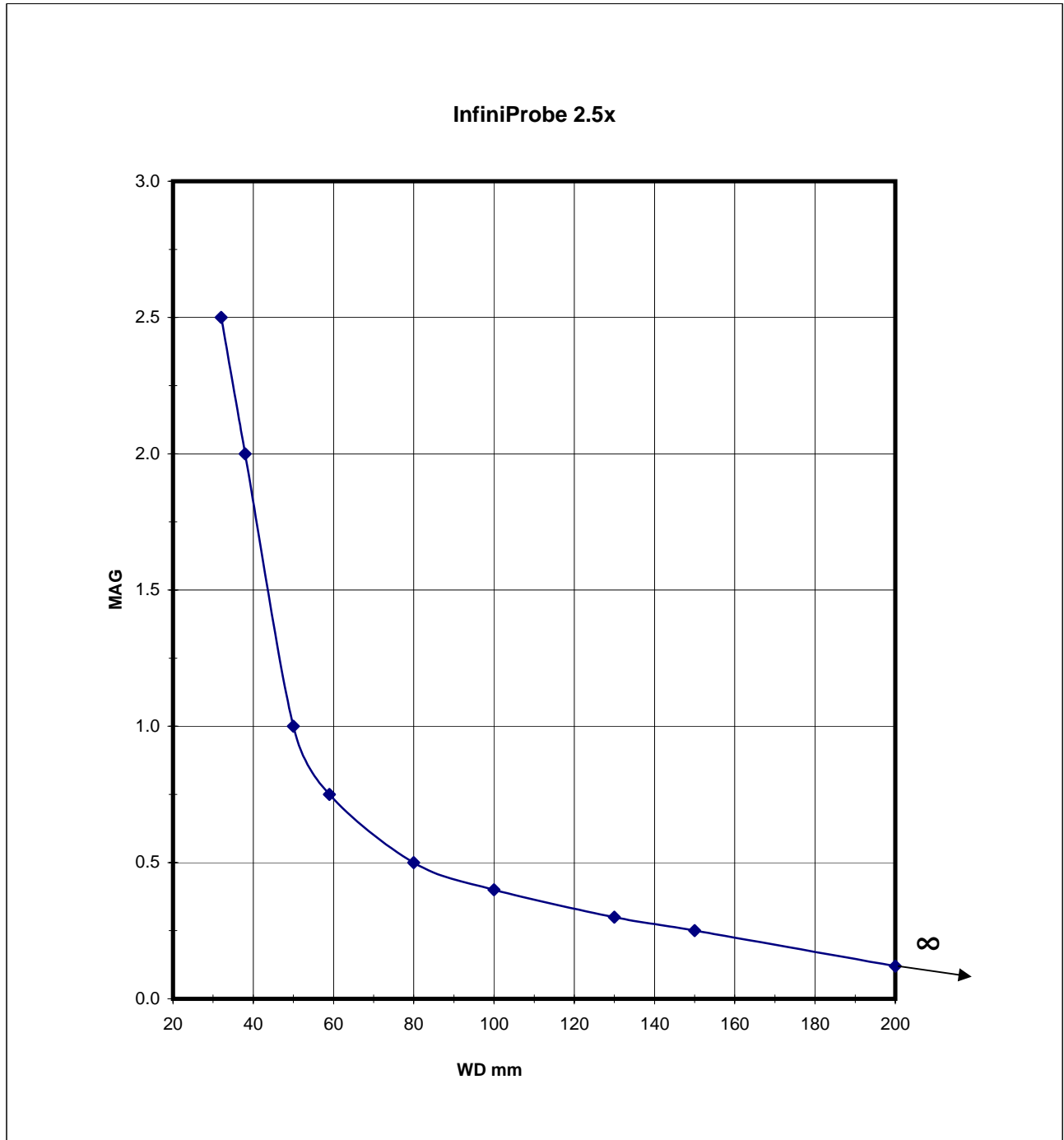
(Suitable for use with up to 2/3-in. sensors)

WD mm	32	38	50	59	80	100	130	150	200
Mag	2.5	2.0	1.0	0.75	0.5	0.4	0.3	0.25	0.12
FOV mm	2.56	3.2	6.4	8.5	12.8	16.0	21.3	25.6	53.3

*FOV based on 1/2-in. video format (6.4mm horizontally). See Video Format Page for all conversions.

For 2/3-in. sensors multiply FOV in chart by 1.375 for new 2/3-in. FOV.

For 1/3-in. sensors multiply FOV in chart by 0.75 for new 1/3-in. FOV.



InfiniProbe S-32 Video Microscope

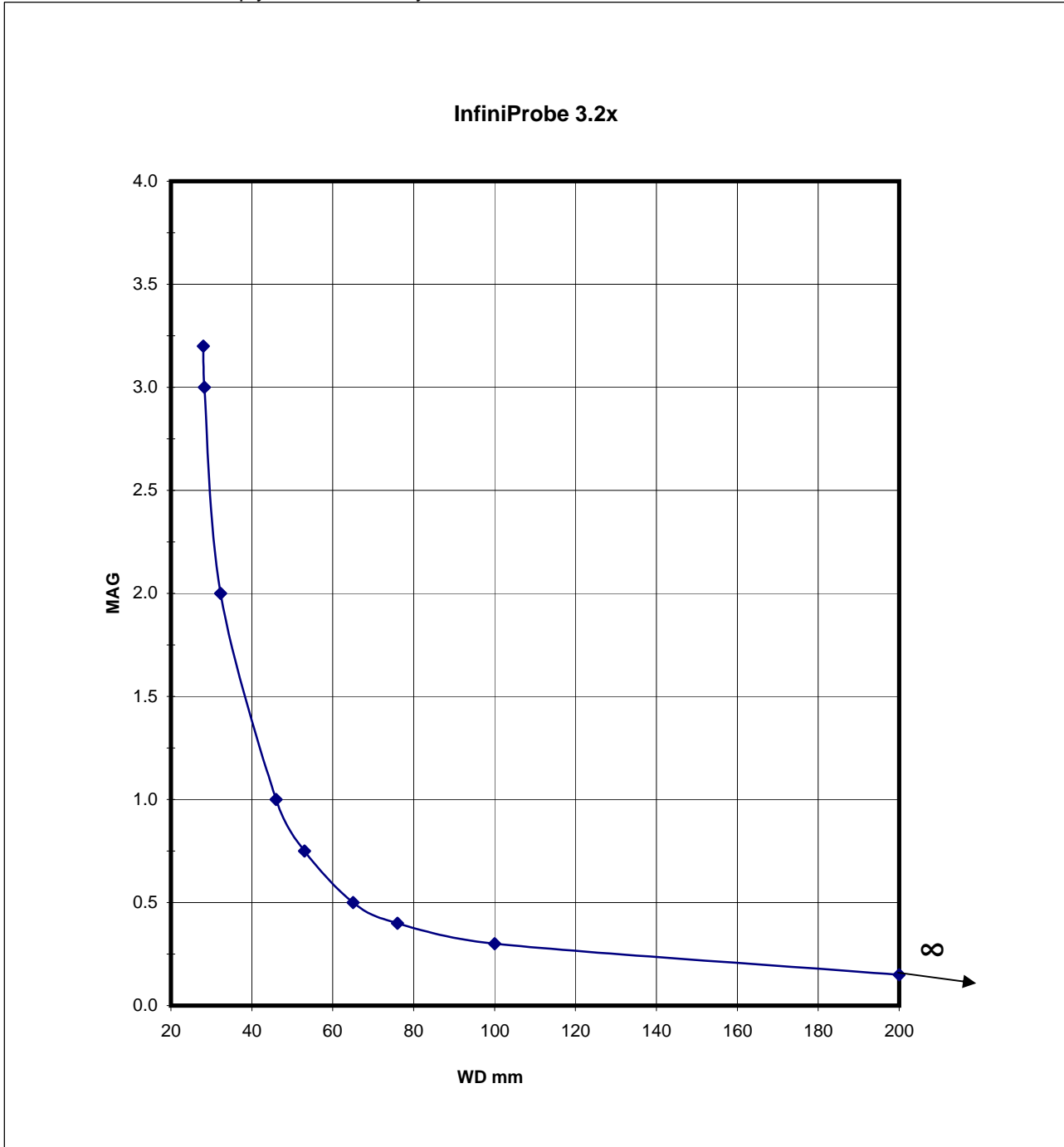
(Suitable for use with up to 2/3-in. sensors)

WD mm	28	28.25	32.3	46	53	65	76	100	200
Mag	3.2	3.0	2.0	1.0	0.75	0.5	0.4	0.3	0.15
FOV mm	2.0	2.1	3.2	6.4	8.5	12.8	16.0	21.3	42.7

*FOV based on 1/2-in. video format (6.4mm horizontally). See Video Format Page for all conversions.

For 2/3-in. sensors multiply FOV in chart by 1.375 for new 2/3-in. FOV.

For 1/3-in. sensors multiply FOV in chart by 0.75 for new 1/3-in. FOV.



InfiniProbe S-50 Video Microscope

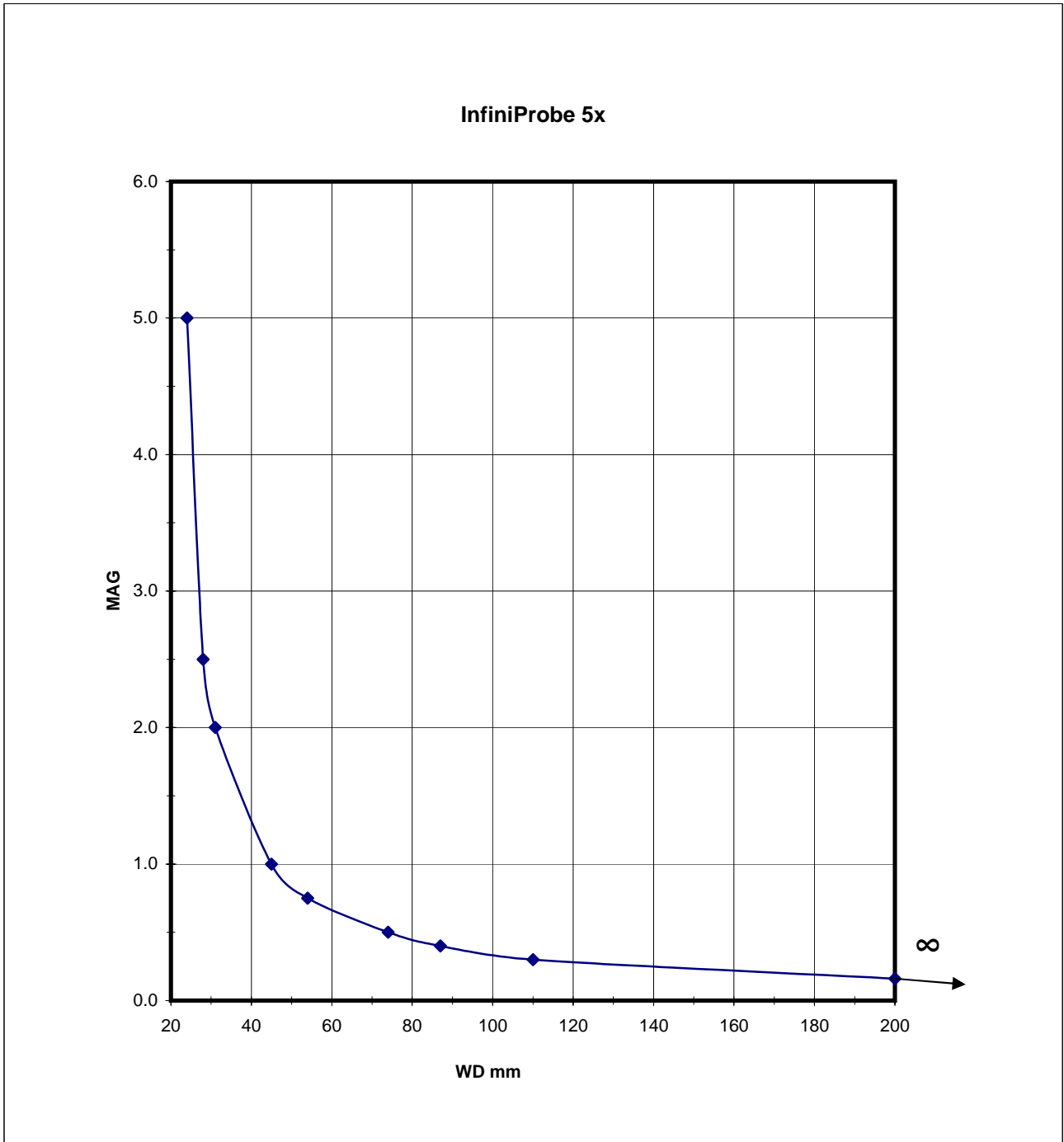
(Suitable for use with up to 2/3-in. sensors)

WD mm	24	28	31	45	54	74	87	110	200
Mag	5.0	2.5	2.0	1.0	0.75	0.5	0.4	0.3	0.16
FOV mm	1.28	2.56	3.2	6.4	8.5	12.8	16.0	21.3	40.0

*FOV based on 1/2-in. video format (6.4mm horizontally). See Video Format Page for all conversions.

For 2/3-in. sensors multiply FOV in chart by 1.375 for new 2/3-in. FOV.

For 1/3-in. sensors multiply FOV in chart by 0.75 for new 1/3-in. FOV.



InfiniProbe S-80 Video Microscope

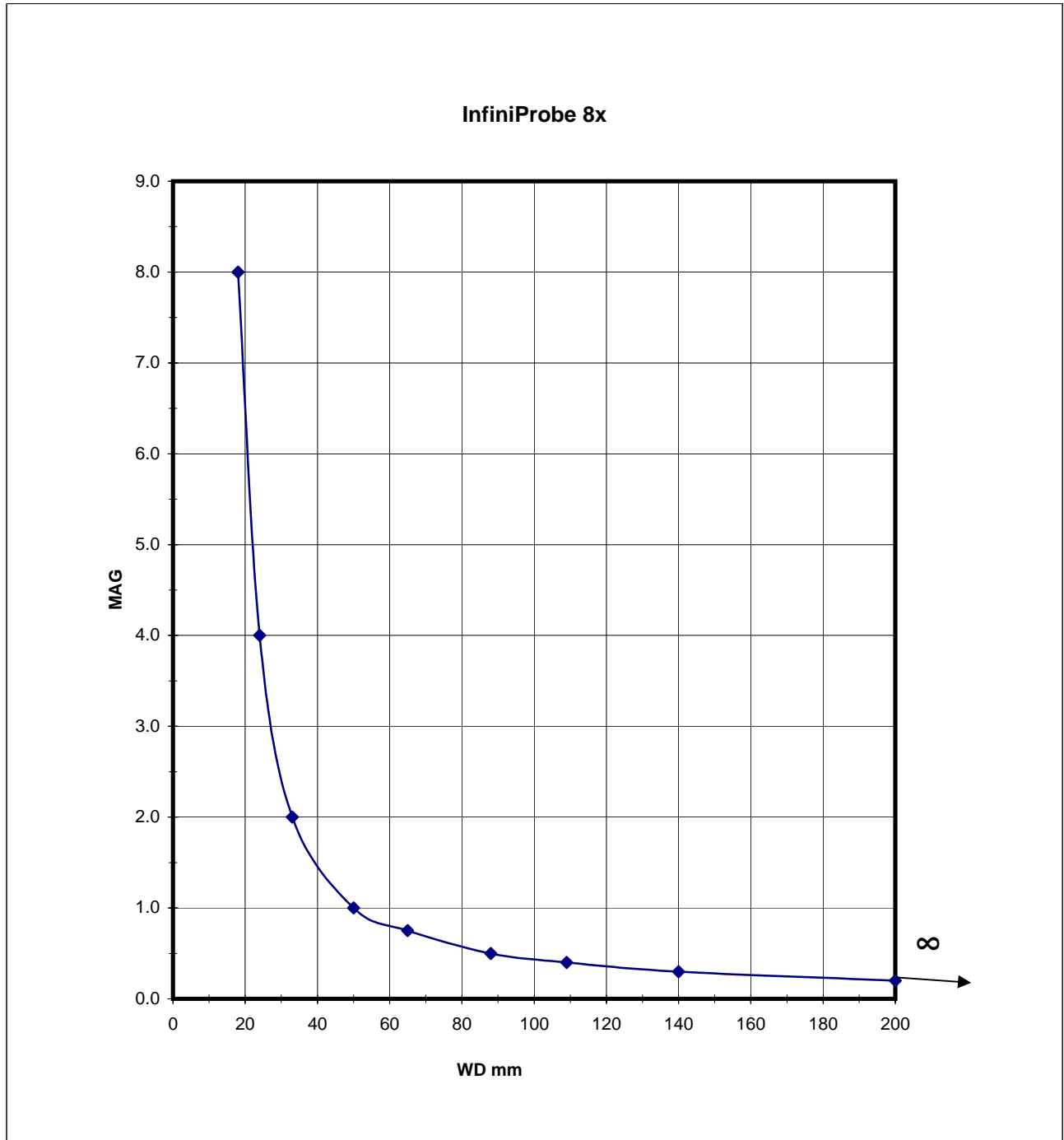
(Suitable for use with up to 2/3-in. sensors)

WD mm	18	24	33	50	65	88	109	140	200
Mag	8.0	4.0	2.0	1.0	0.75	0.5	0.4	0.3	0.2
FOV mm	0.8	1.6	3.2	6.4	8.5	12.8	16.0	21.3	32.0

*FOV based on 1/2-in. video format (6.4mm horizontally). See Video Format Page for all conversions.

For 2/3-in. sensors multiply FOV in chart by 1.375 for new 2/3-in. FOV.

For 1/3-in. sensors multiply FOV in chart by 0.75 for new 1/3-in. FOV.



Video Formats

Format	Factor	Diagram
1/4"	0.5	
1/3"	0.75	
1/2"	1.0	
2/3"	1.375	
1"	2.0	

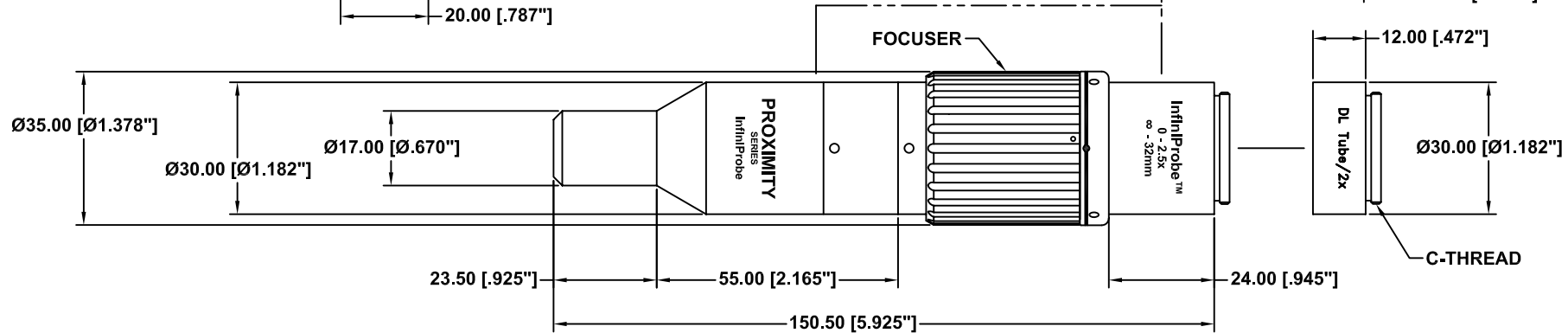
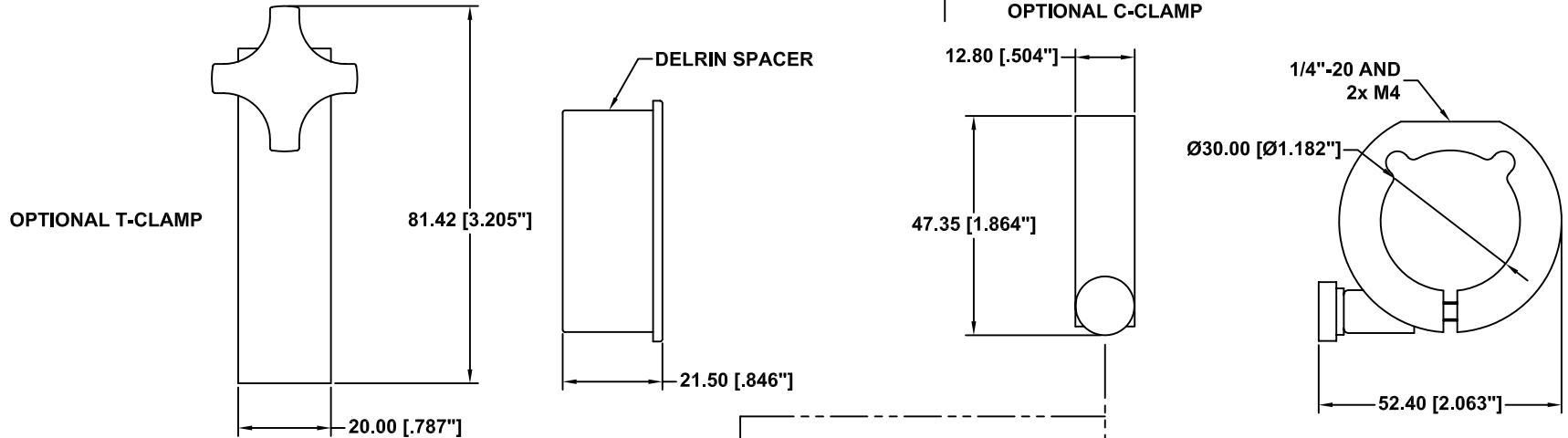
Unless otherwise noted all data is given for 1/2" camera sensors. For FOV or magnification in other sensor sizes use the factors listed. For example, a FOV of 25mm listed for a 1/3" camera would be $25 \times 0.75 = 18.75\text{mm}$.

NOTE:

1. THE C-CLAMP CAN BE REPLACED BY THE DELRIN SPACER AND T-CLAMP.

REVISIONS				
ZONE	REV	DESCRIPTION	DATE	APPROVED

OPTIONAL C-CLAMP



This drawing is for informational purposes only.
No other rights or privileges are granted or implied.

ALL DIM ARE mm [inches] AND ARE FOR REFERENCE ONLY AND ARE SUBJECT TO CHANGE.

INFINITY Photo-Optical Company
2530 Frontier Ave., Boulder, CO 80301
303/440-4544 Fax 303/440-4144

INFINIPROBE 2.5x

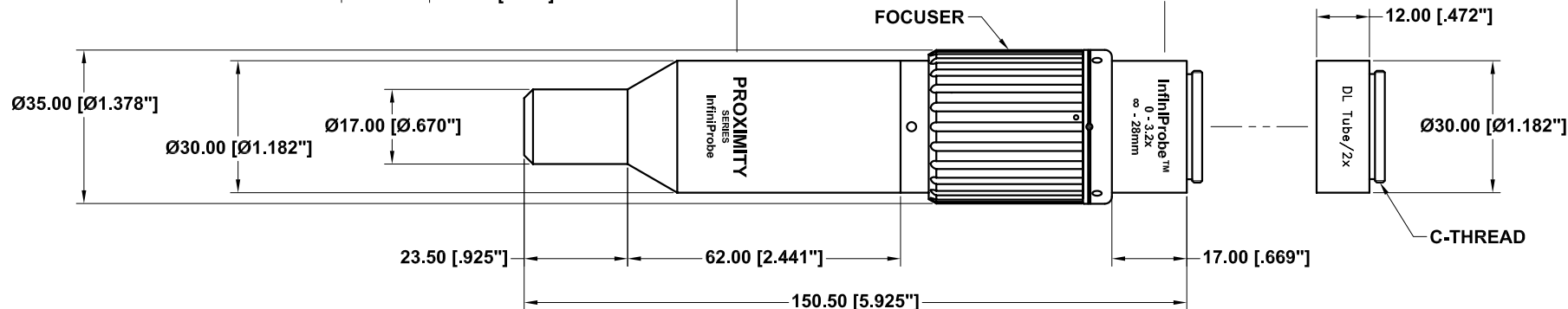
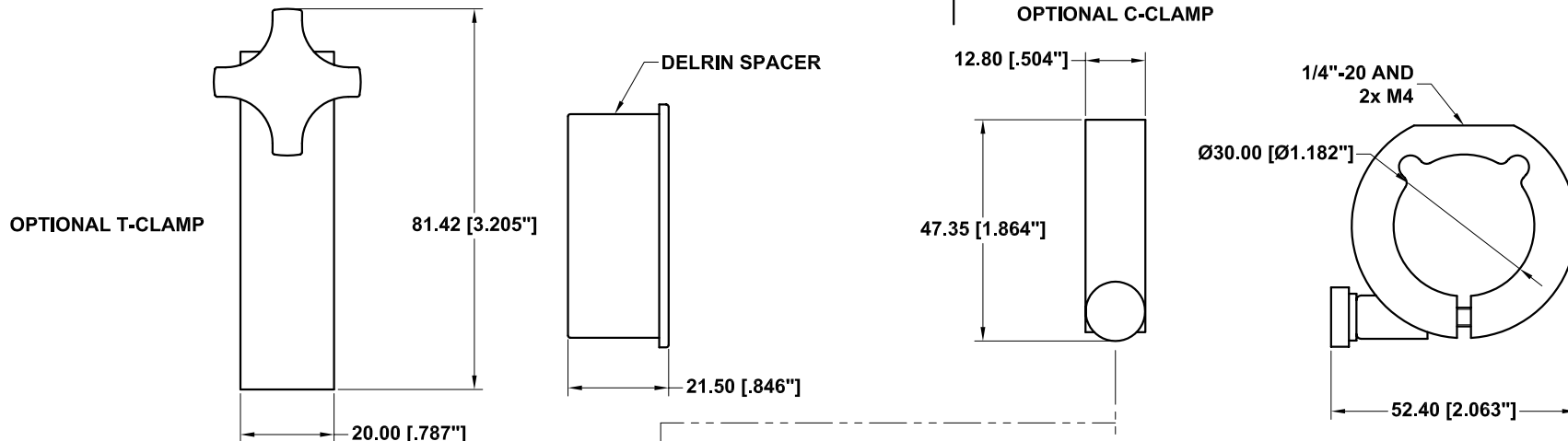
Date: 03/01/06 MB	SIZE B	FSCM NO.	DWG NO. -	REV -
Modified:	SCALE NONE	-	SHEET 1 OF 1	

NOTE:

1. THE C-CLAMP CAN BE REPLACED BY THE DELRIN SPACER AND T-CLAMP.

REVISIONS				
ZONE	REV	DESCRIPTION	DATE	APPROVED

OPTIONAL C-CLAMP



This drawing is for informational purposes only.
No other rights or privileges are granted or implied.

ALL DIM ARE mm [inches] AND ARE FOR REFERENCE ONLY AND ARE SUBJECT TO CHANGE.

INFINITY Photo-Optical Company
2530 Frontier Ave., Boulder, CO 80301
303/440-4544 Fax 303/440-4144

INFINIPROBE 3.2x

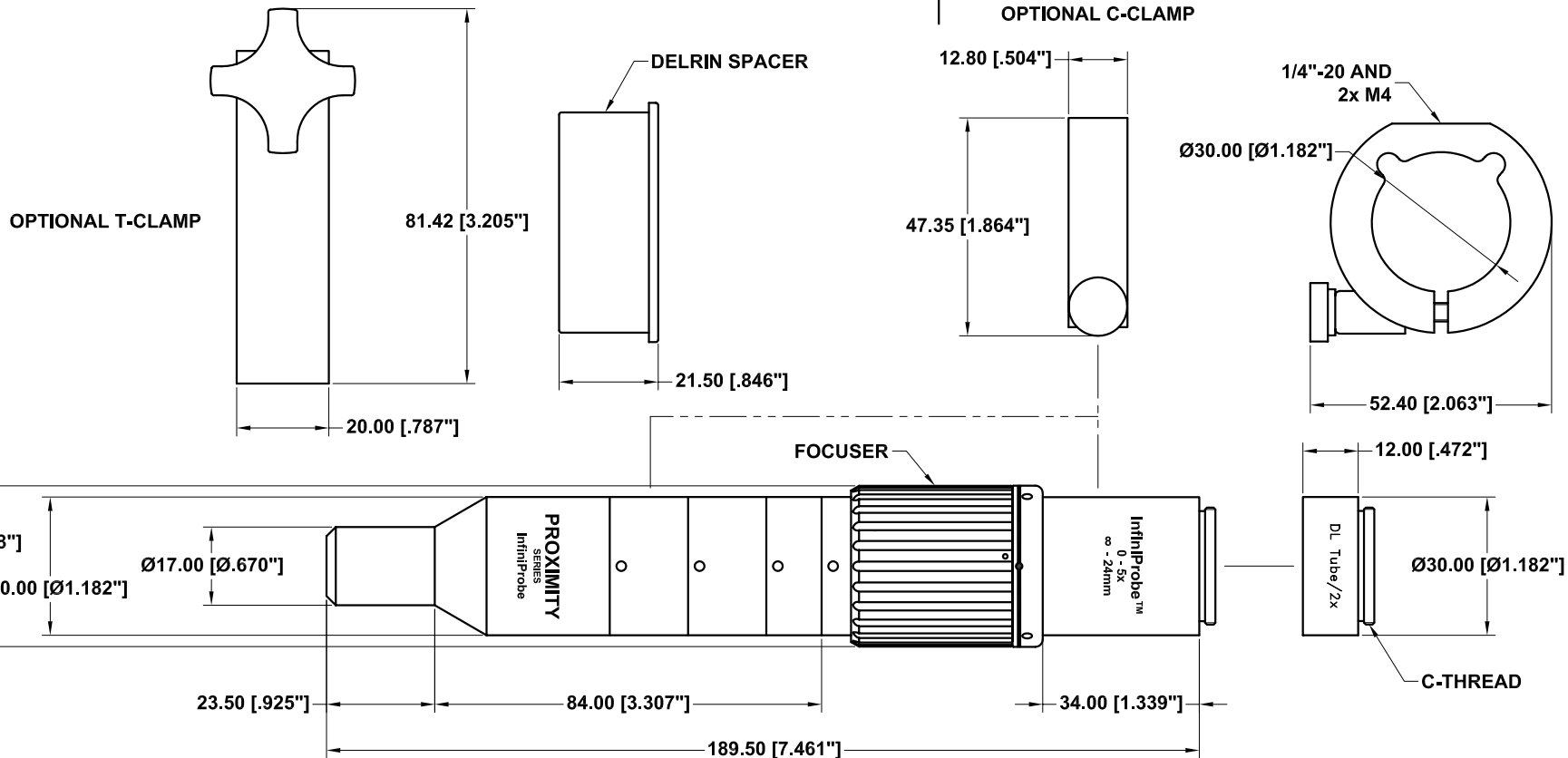
Date: 03/01/06 MB	SIZE B	FSCM NO.	DWG NO. -	REV -
Modified:	SCALE NONE	-	SHEET 1 OF 1	

NOTE:

1. THE C-CLAMP CAN BE REPLACED BY THE DELRIN SPACER AND T-CLAMP.

REVISIONS				
ZONE	REV	DESCRIPTION	DATE	APPROVED

OPTIONAL C-CLAMP



This drawing is for informational purposes only.
No other rights or privileges are granted or implied.

ALL DIM ARE mm [inches] AND ARE FOR REFERENCE ONLY AND ARE SUBJECT TO CHANGE.

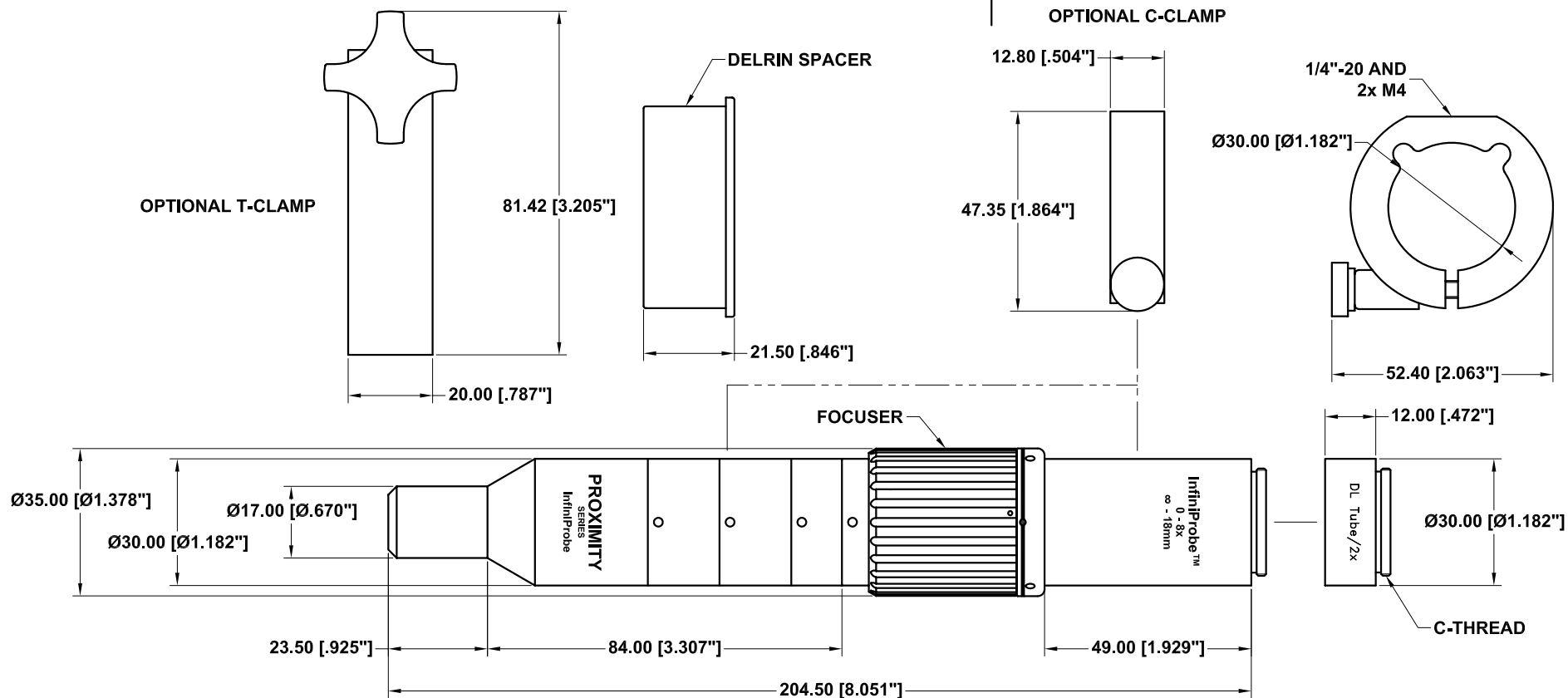
INFINITY Photo-Optical Company
2530 Frontier Ave., Boulder, CO 80301
303/440-4544 Fax 303/440-4144

INFINIPROBE 5x

Date: 03/01/06 MB	SIZE B	FSCM NO.	DWG NO. -	REV -
Modified:	SCALE NONE	-	SHEET 1 OF 1	

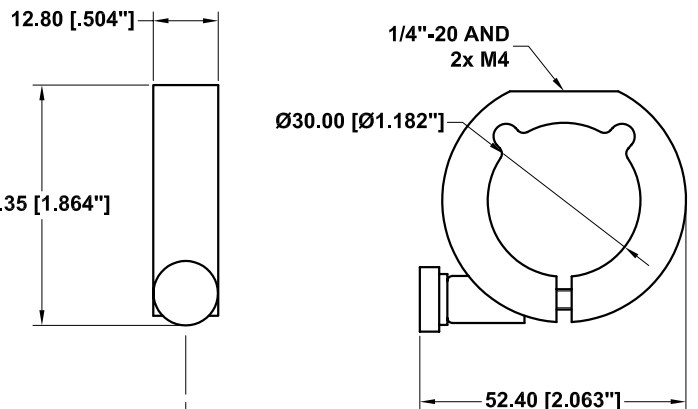
NOTE:

1. THE C-CLAMP CAN BE REPLACED BY THE DELRIN SPACER AND T-CLAMP.



REVISIONS				
ZONE	REV	DESCRIPTION	DATE	APPROVED

OPTIONAL C-CLAMP



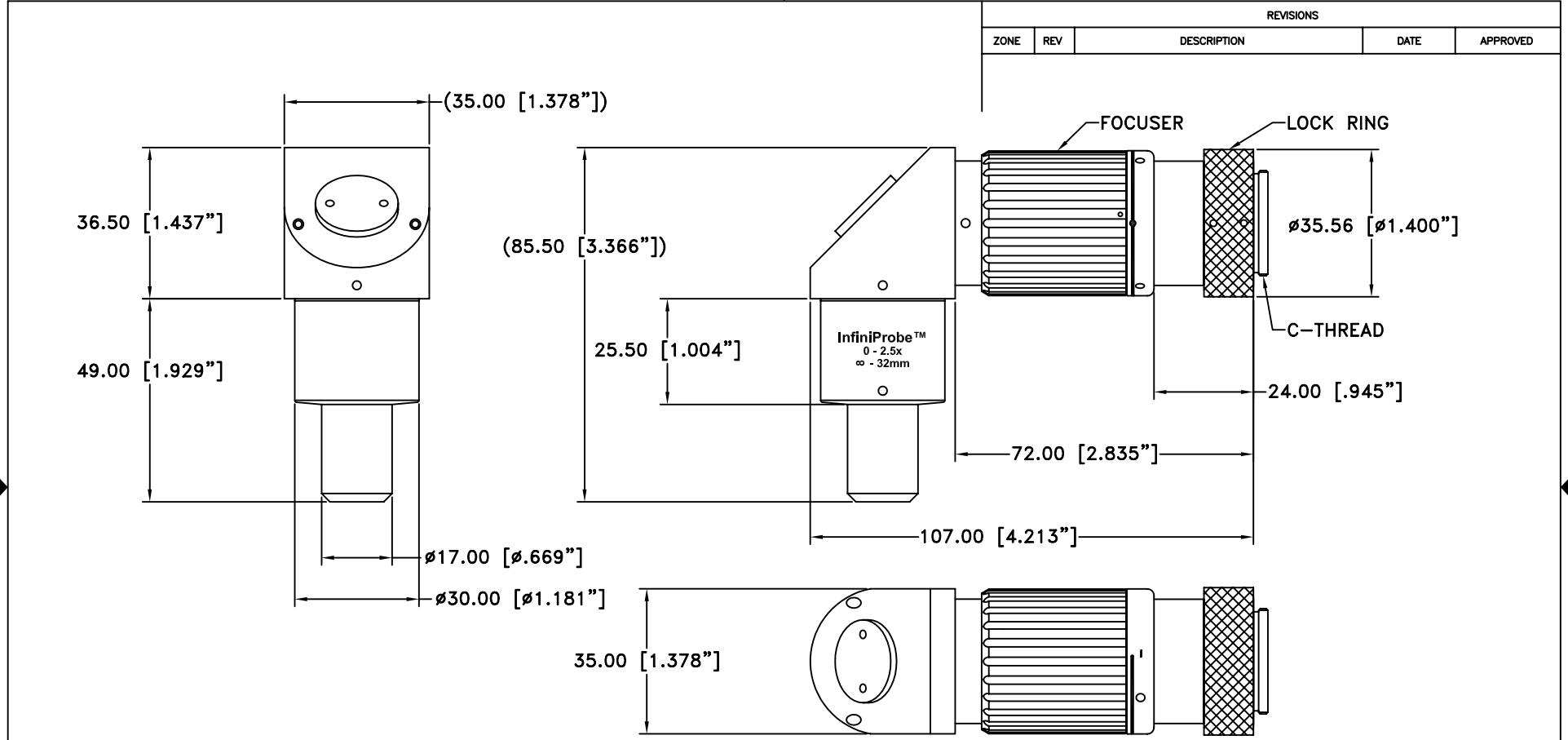
This drawing is for informational purposes only.
 No other rights or privileges are granted or implied.

ALL DIM ARE mm [inches] AND ARE FOR REFERENCE ONLY AND ARE SUBJECT TO CHANGE.

INFINITY Photo-Optical Company
 2530 Frontier Ave., Boulder, CO 80301
 303/440-4544 Fax 303/440-4144

INFINIPROBE 8x

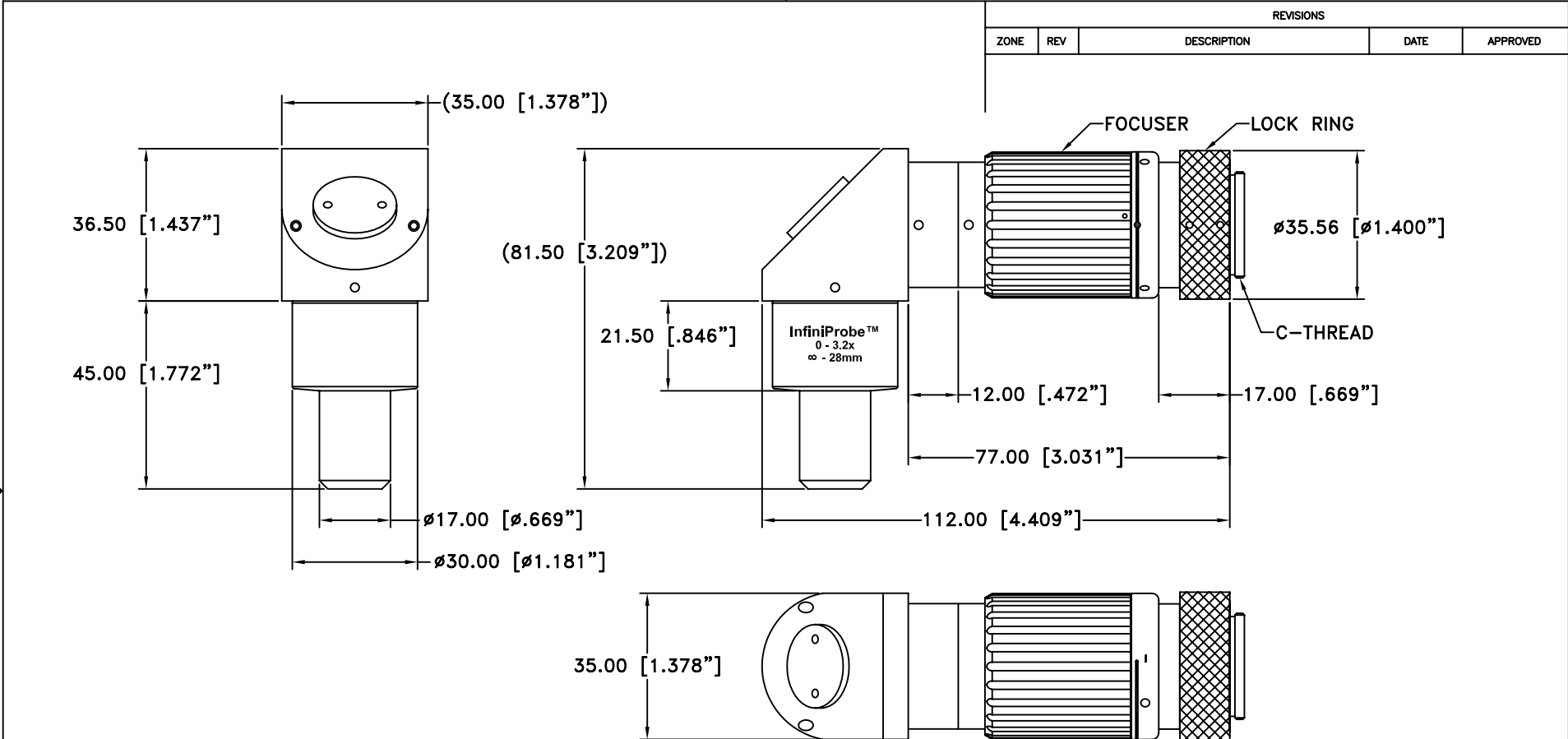
Date: 03/01/06 MB	SIZE B	FSCM NO.	DWG NO. -	REV -
Modified:	SCALE NONE	-	SHEET 1 OF 1	




REVISIONS				
ZONE	REV	DESCRIPTION	DATE	APPROVED

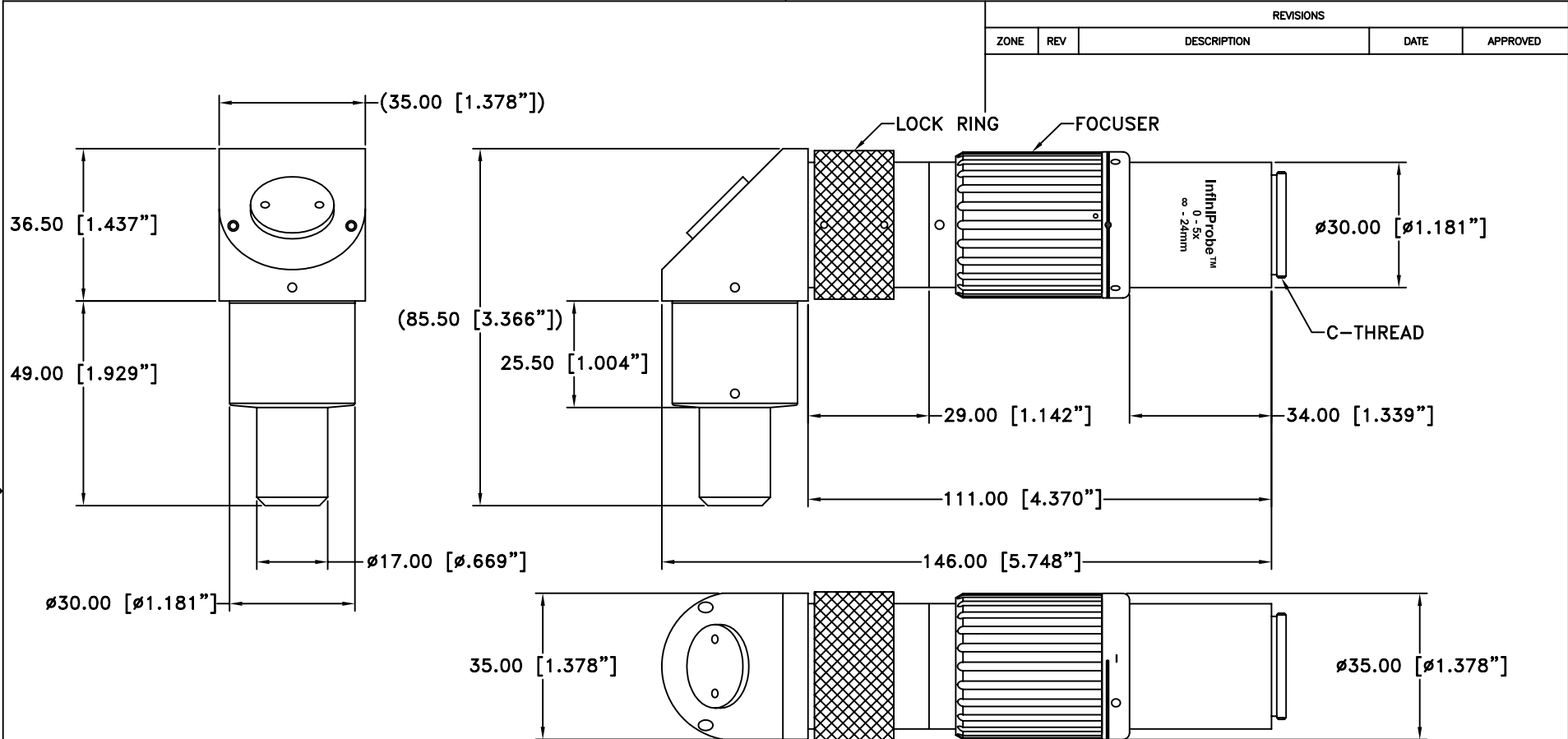
This drawing is for informational purposes only.
 No other rights or privileges are granted or implied.

ALL DIM ARE mm [inches] AND ARE FOR REFERENCE ONLY AND ARE SUBJECT TO CHANGE.		INFINITY Photo-Optical Company 2530 Frontier Ave., Boulder, CO 80301 303/440-4544 Fax 303/440-4144		
90° INFINIPROBE 2.5x				
Date: 03/01/06 MB		SIZE B	FSCM NO. -	DWG NO. -
Modified: 07/21/06 MB		SCALE NONE	-	SHEET 1 OF 1
				REV A



This drawing is for informational purposes only.
 No other rights or privileges are granted or implied.

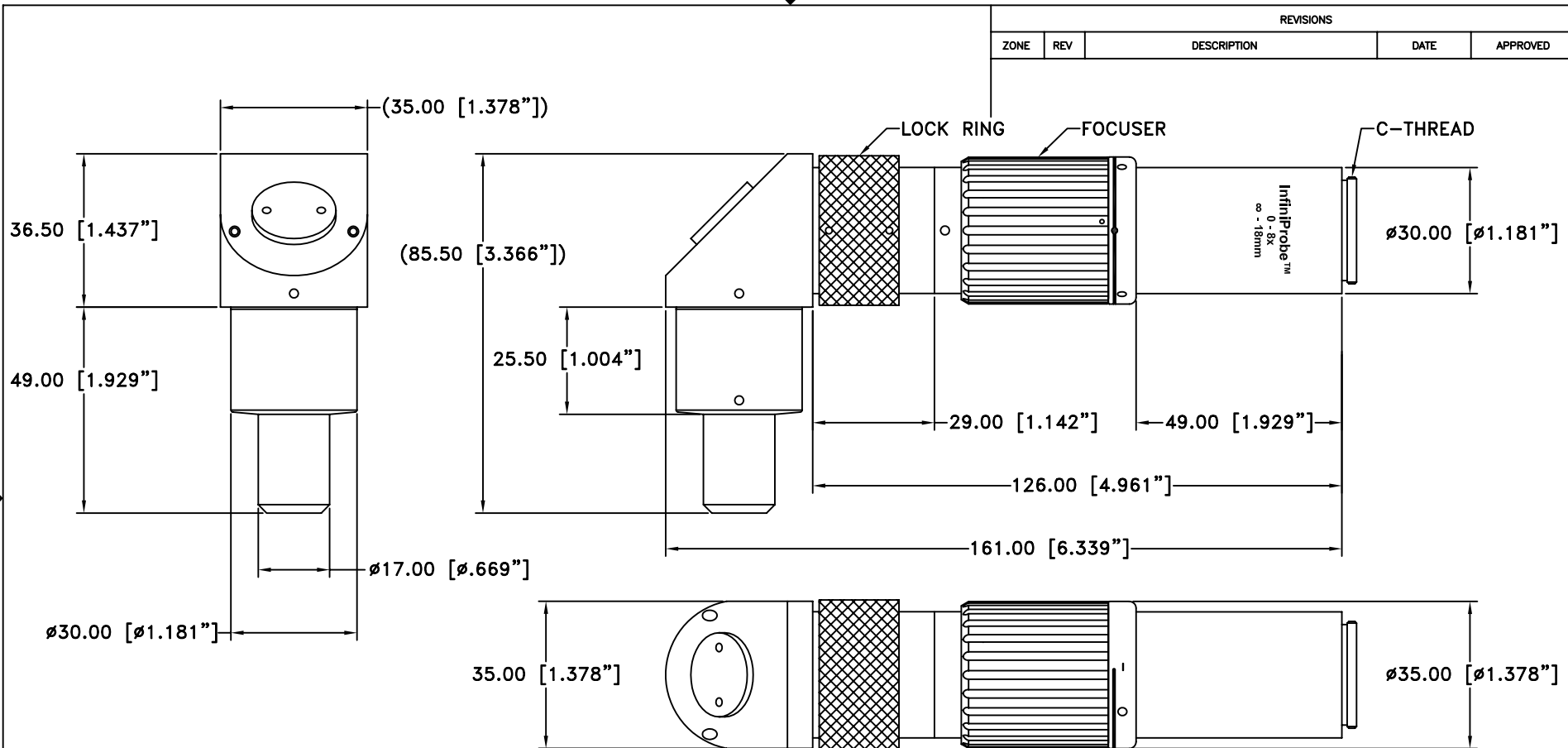
ALL DIM ARE mm [inches] AND ARE FOR REFERENCE ONLY AND ARE SUBJECT TO CHANGE.		 INFINITY Photo-Optical Company 2530 Frontier Ave., Boulder, CO 80301 303/440-4544 Fax 303/440-4144		
90° INFINIPROBE 3.2x				
Date: 03/01/06 MB	SIZE B	FSCM NO.	DWG NO. -	REV A
Modified: 07/21/06 MB	SCALE NONE	-	SHEET 1 OF 1	



REVISIONS				
ZONE	REV	DESCRIPTION	DATE	APPROVED

This drawing is for informational purposes only.
 No other rights or privileges are granted or implied.

ALL DIM ARE mm [inches] AND ARE FOR REFERENCE ONLY AND ARE SUBJECT TO CHANGE.		INFINITY Photo-Optical Company 2530 Frontier Ave., Boulder, CO 80301 303/440-4544 Fax 303/440-4144			
90° INFINIPROBE 5x					
Date: 03/01/06 MB		SIZE B	FSCM NO. -	DWG NO. -	REV A
Modified: 07/21/06 MB		SCALE NONE	SHEET 1 OF 1		



REVISIONS				
ZONE	REV	DESCRIPTION	DATE	APPROVED

This drawing is for informational purposes only.
No other rights or privileges are granted or implied.

ALL DIM ARE mm [inches] AND ARE FOR REFERENCE ONLY AND ARE SUBJECT TO CHANGE.		INFINITY Photo-Optical Company 2530 Frontier Ave., Boulder, CO 80301 303/440-4544 Fax 303/440-4144		
Date: 03/01/06 MB		90° INFINIPROBE 8x		
Modified: 07/21/06 MB	SIZE B	FSCM NO.	DWG NO. -	REV A
SCALE NONE	-		SHEET 1 OF 1	

INFINITY PHOTO-OPTICAL COMPANY LIMITED WARRANTY

INFINITY PHOTO-OPTICAL COMPANY hereby warrants its products to be free from defects in workmanship or materials for the warranty period set forth below. INFINITY PHOTO-OPTICAL COMPANY, at its option, shall repair or replace the defective product without cost to the purchaser, and such repair or replacement shall be the full extent of this express limited warranty. INFINITY PHOTO-OPTICAL COMPANY shall not be liable for any other damages either direct or consequential.

This warranty is made to the original purchaser, and is effective only on new equipment purchased from INFINITY PHOTO-OPTICAL COMPANY, or a dealer authorized by INFINITY PHOTO-OPTICAL COMPANY to sell the product.

This warranty is valid only when the product is returned to the authorized dealer from whom it was purchased, or returned directly to INFINITY PHOTO-OPTICAL COMPANY, freight prepaid, with proof of date of purchase.

This warranty does not extend to any defect, malfunction or failure caused by misuse, abuse or the use of the product with equipment for which it may not have been intended. Any unauthorized repair voids this warranty.

The warranty period for all products manufactured by INFINITY PHOTO-OPTICAL COMPANY is five (5) years from date of original purchase. Parts or components made or sourced from other manufacturers shall be solely covered by that manufacturer's warranty.

The warranty contained herein is the only warranty made by INFINITY PHOTO-OPTICAL COMPANY. Any implied warranty of merchantability and/or fitness for a particular purpose is expressly excluded from this warranty. INFINITY PHOTO-OPTICAL COMPANY shall not be liable for any expense, loss, incidental or consequential damages which may arise in connection with the use of this equipment. Recovery under this warranty is limited to repair or replacement of the equipment as provided above.

INFINITY PHOTO-OPTICAL COMPANY reserves the right to modify designs, equipment and accessories without notice.